

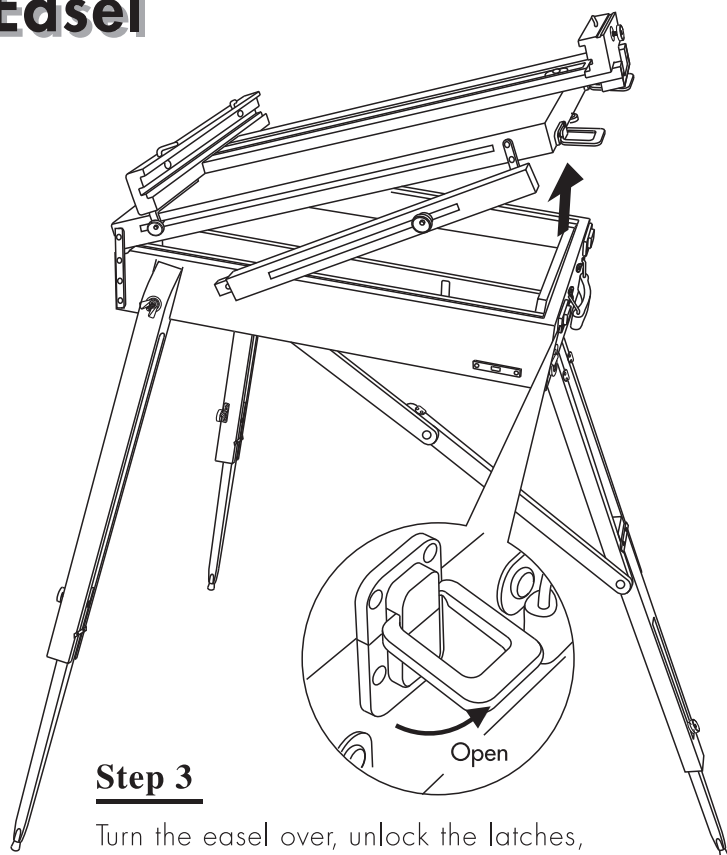
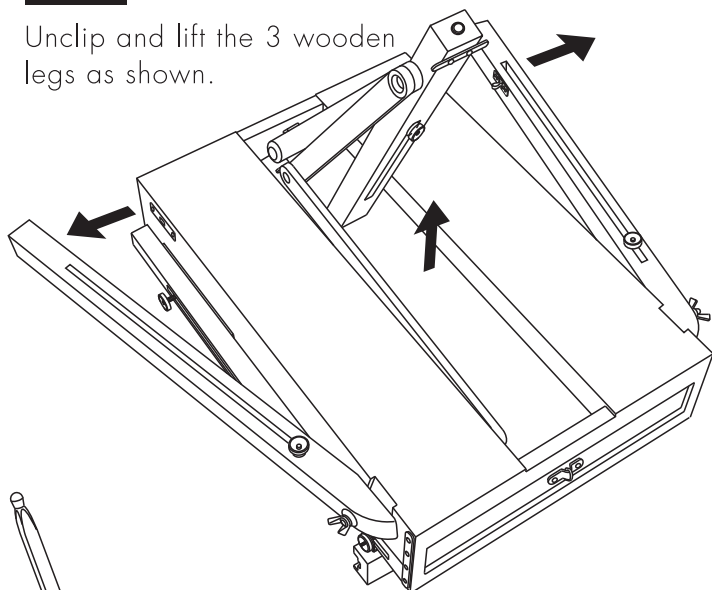
# Wooden Artist Standing Easel

MC11701 . . . . .

## 1) TO SET UP THE EASEL

### Step 1

Unclip and lift the 3 wooden legs as shown.

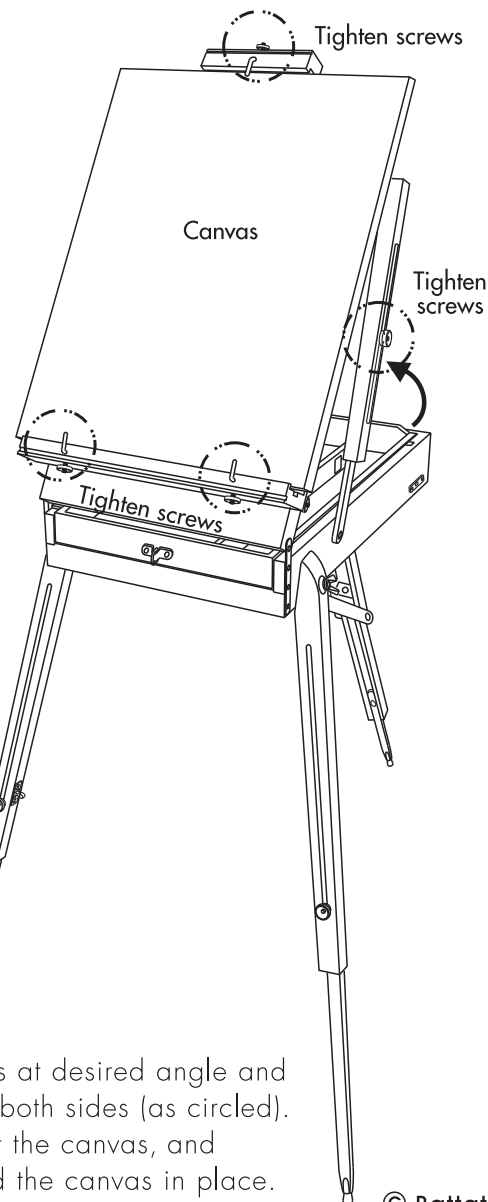
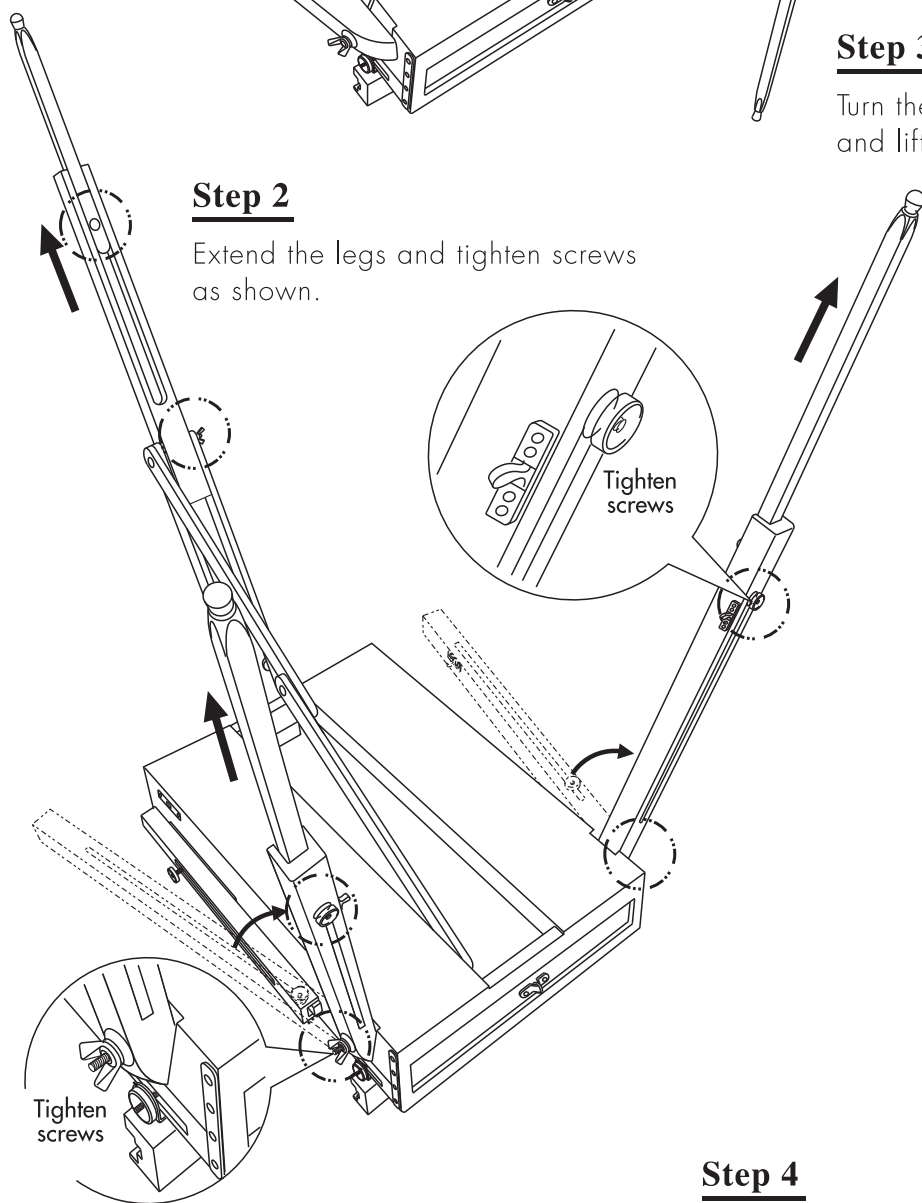


### Step 3

Turn the easel over, unlock the latches, and lift the lid.

### Step 2

Extend the legs and tighten screws as shown.



### Step 4

Set the easel supports at desired angle and tighten the screws at both sides (as circled). Extend the arm, insert the canvas, and tighten screws to hold the canvas in place.

## 2) TO FOLD UP THE EASEL

Reverse the above steps, loosening the screws and folding the legs back into place.